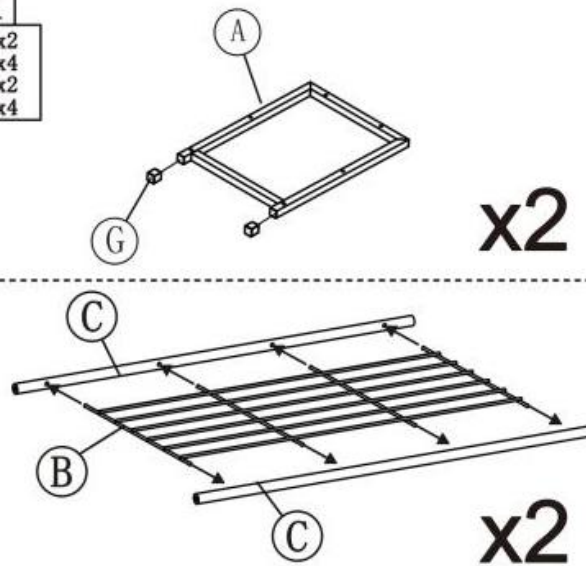


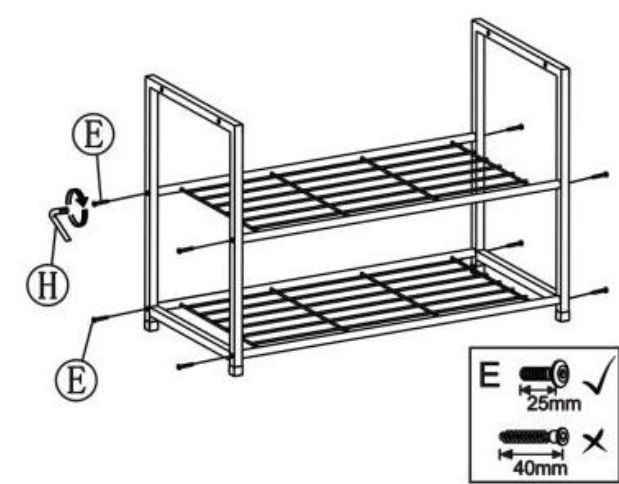
NARVIK ST-1

NO.	Qty	Sketch
A	2	
B	2	
C	4	
D	1	
E	8	 M6x25
F	4	 6. 3x40
G	4	
H	1	

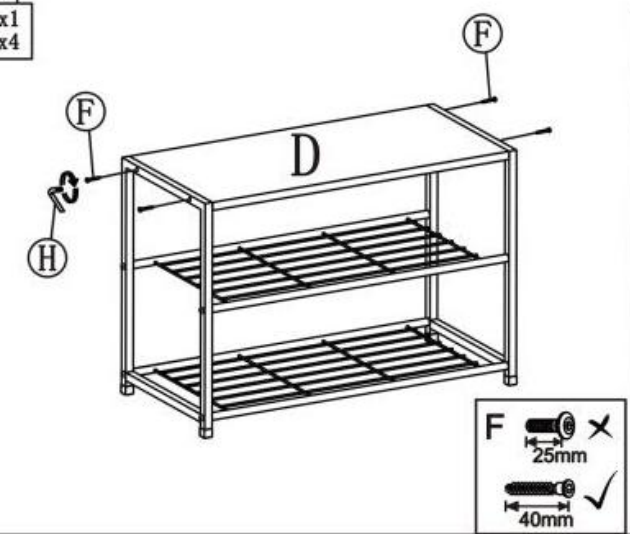
1
Ax2
Cx4
Bx2
Cx4



2
Ex8



3
Dx1
Fx4



4

